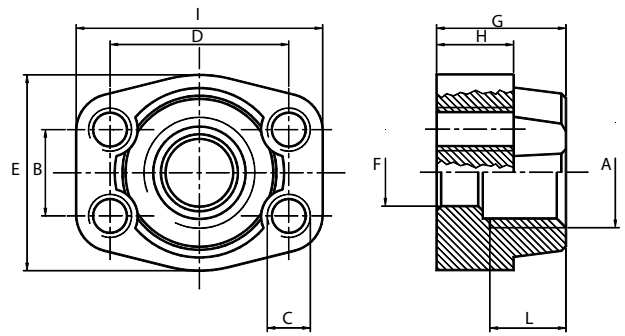
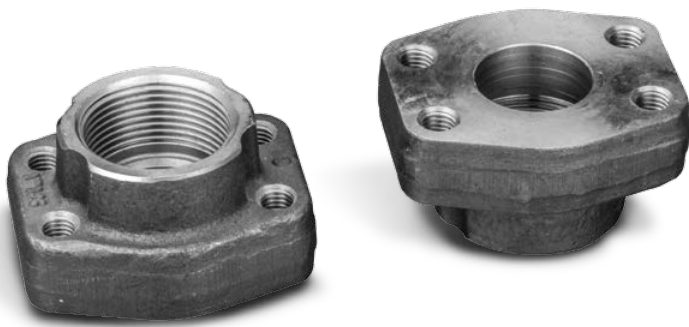


# Gegenflansch TRCF

## 4 Loch gerader Winkelflansch mit Innengewinde

Material:  
Stahl



| Bestell-Nr.   | p max in bar  | Flanschbild | A      | B      | C     | D      | E     | F   | G  | H  | I   | L        | Schrauben im Lieferumfang enthalten | U.N.C. separat erhältlich |
|---------------|---------------|-------------|--------|--------|-------|--------|-------|-----|----|----|-----|----------|-------------------------------------|---------------------------|
| 3000PSI       | 670-080-01000 | 348         | 1/2"   | 3/8"   | 17,48 | M8     | 38,10 | 46  | 13 | 36 | 16  | 55       | M8 x 30                             | 5/16" x 1-1/4"            |
|               | 670-080-01050 | 348         | 1/2"   | 1/2"   | 17,48 | M8     | 38,10 | 46  | 13 | 36 | 16  | 55       | M8 x 30                             | 5/16" x 1-1/4"            |
|               | 670-080-01100 | 348         | 3/4"   | 1/2"   | 22,23 | M10    | 47,63 | 51  | 18 | 36 | 18  | 66       | M10 x 35                            | 3/8" x 1-1/2"             |
|               | 670-080-01150 | 348         | 3/4"   | 3/4"   | 22,23 | M10    | 47,63 | 51  | 19 | 36 | 18  | 66       | M10 x 35                            | 3/8" x 1-1/2"             |
|               | 670-080-01200 | 348         | 1"     | 3/4"   | 26,19 | M10    | 52,37 | 56  | 19 | 38 | 21  | 71       | M10 x 35                            | 3/8" x 1-1/2"             |
|               | 670-080-01250 | 348         | 1"     | 1"     | 26,19 | M10    | 52,37 | 56  | 25 | 38 | 21  | 71       | M10 x 35                            | 3/8" x 1-1/2"             |
|               | 670-080-01300 | 279         | 1-1/4" | 1"     | 30,18 | M10    | 58,72 | 68  | 25 | 41 | 25  | 81       | M10 x 35                            | 7/16" x 1-3/4"            |
|               | 670-080-01350 | 279         | 1-1/4" | 1-1/4" | 30,18 | M10    | 58,72 | 68  | 32 | 41 | 25  | 81       | M10 x 35                            | 7/16" x 1-3/4"            |
|               | 670-080-01400 | 210         | 1-1/2" | 1-1/4" | 35,71 | M12    | 69,85 | 78  | 32 | 45 | 27  | 95       | M12 x 45                            | 1/2" x 1-3/4"             |
|               | 670-080-01450 | 210         | 1-1/2" | 1-1/2" | 35,71 | M12    | 69,85 | 78  | 38 | 45 | 27  | 95       | M12 x 45                            | 1/2" x 1-3/4"             |
|               | 670-080-01500 | 210         | 2"     | 1-1/2" | 42,88 | M12    | 77,77 | 91  | 38 | 45 | 25  | 102      | M12 x 45                            | 1/2" x 1-3/4"             |
|               | 670-080-01550 | 210         | 2"     | 2"     | 42,88 | M12    | 77,77 | 91  | 51 | 45 | 25  | 102      | M12 x 45                            | 1/2" x 1-3/4"             |
|               | 670-080-01600 | 175         | 2-1/2" | 2"     | 50,80 | M12    | 88,90 | 103 | 51 | 50 | 25  | 114      | M12 x 45                            | 1/2" x 1-3/4"             |
|               | 670-080-01650 | 175         | 2-1/2" | 2-1/2" | 50,80 | M12    | 88,90 | 103 | 63 | 50 | 25  | 114      | M12 x 45                            | 1/2" x 1-3/4"             |
| 670-080-01700 | 138           | 3"          | 2-1/2" | 61,93  | M16   | 106,40 | 124   | 63  | 50 | 27 | 135 | M16 x 55 | 5/8" x 2"                           |                           |
| 670-080-01750 | 138           | 3"          | 3"     | 61,93  | M16   | 106,40 | 124   | 73  | 50 | 27 | 135 | M16 x 55 | 5/8" x 2"                           |                           |
| 6000PSI       | 670-080-01800 | 420         | 1/2"   | 3/8"   | 18,24 | M8     | 40,49 | 46  | 13 | 36 | 16  | 55       | M8 x 30                             | 5/16" x 1-1/4"            |
|               | 670-080-01850 | 420         | 1/2"   | 1/2"   | 18,24 | M8     | 40,49 | 46  | 13 | 36 | 16  | 55       | M8 x 30                             | 5/16" x 1-1/4"            |
|               | 670-080-01900 | 420         | 3/4"   | 1/2"   | 23,80 | M10    | 50,80 | 56  | 18 | 36 | 21  | 71       | M10 x 35                            | 3/8" x 1-1/2"             |
|               | 670-080-01950 | 420         | 3/4"   | 3/4"   | 23,80 | M10    | 50,80 | 56  | 19 | 36 | 21  | 71       | M10 x 35                            | 3/8" x 1-1/2"             |
|               | 670-080-02000 | 420         | 1"     | 3/4"   | 27,76 | M12    | 57,15 | 68  | 19 | 42 | 25  | 81       | M12 x 45                            | 7/16" x 1-3/4"            |
|               | 670-080-02050 | 420         | 1"     | 1"     | 27,76 | M12    | 57,15 | 68  | 25 | 42 | 25  | 81       | M12 x 45                            | 7/16" x 1-3/4"            |
|               | 670-080-02100 | 420         | 1-1/4" | 1"     | 31,75 | M14    | 66,68 | 78  | 25 | 45 | 27  | 95       | M14 x 45                            | 1/2" x 1-3/4"             |
|               | 670-080-02150 | 420         | 1-1/4" | 1-1/4" | 31,75 | M14    | 66,68 | 78  | 32 | 45 | 27  | 95       | M14 x 45                            | 1/2" x 1-3/4"             |
|               | 670-080-02200 | 420         | 1-1/2" | 1-1/4" | 36,50 | M16    | 79,38 | 94  | 32 | 51 | 29  | 112      | M16 x 55                            | 5/8" x 2"                 |
|               | 670-080-02250 | 420         | 1-1/2" | 1-1/2" | 36,50 | M16    | 79,38 | 94  | 38 | 51 | 29  | 112      | M16 x 55                            | 5/8" x 2"                 |

