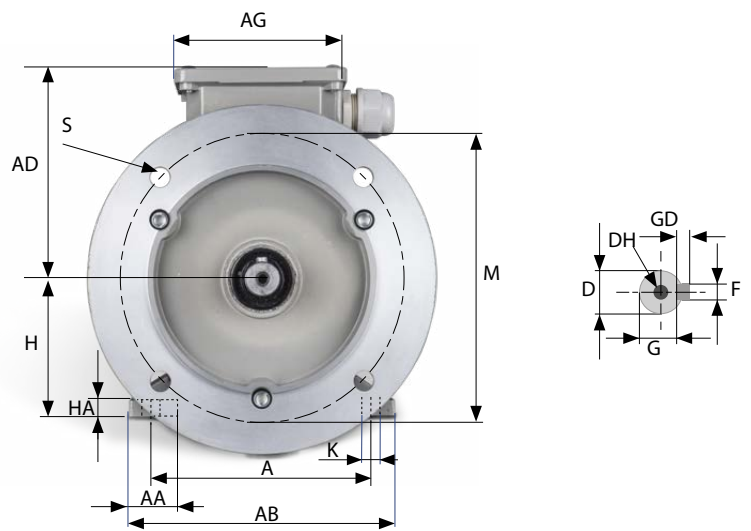
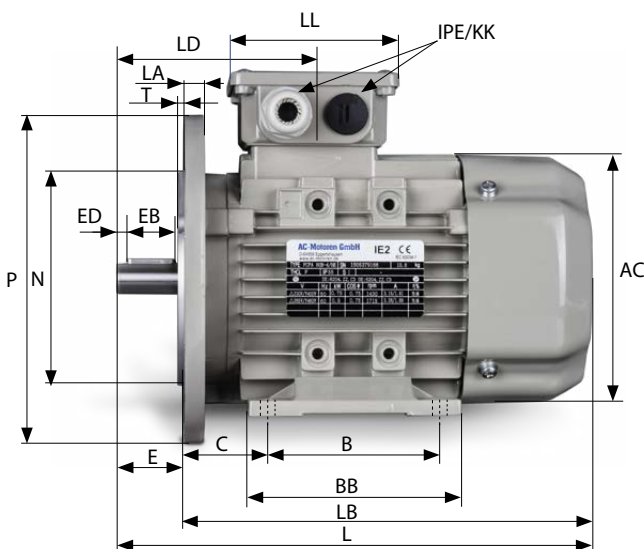




Aluminiumgehäuse  
Energieeffizienzklasse: IE2/IE3

| Bestell-Nr.   | Antriebsleistung in kW | Phasen / Pole | Spannung in Volt | Frequenz in Hz | Drehzahl in U/min | Baugröße | IE Klasse |
|---------------|------------------------|---------------|------------------|----------------|-------------------|----------|-----------|
| 720-115-01150 | 0,18                   | 3Ph / 4P      | 230/400          | 50             | 1360              | 63B      | IE2       |
| 720-115-01200 | 0,25                   | 3Ph / 4P      | 230/400          | 50             | 1380              | 71A      | IE2       |
| 720-115-01250 | 0,37                   | 3Ph / 4P      | 230/400          | 50             | 1380              | 71B      | IE2       |
| 720-115-01300 | 0,55                   | 3Ph / 4P      | 230/400          | 50             | 1400              | 80A      | IE2       |
| 720-425-01350 | 0,75                   | 3Ph / 4P      | 230/400          | 50             | 1400              | 80B      | IE3       |
| 720-425-01400 | 1,1                    | 3Ph / 4P      | 230/400          | 50             | 1400              | 90S      | IE3       |
| 720-425-01450 | 1,5                    | 3Ph / 4P      | 230/400          | 50             | 1400              | 90L      | IE3       |
| 720-425-01500 | 2,2                    | 3Ph / 4P      | 230/400          | 50             | 1420              | 100LA    | IE3       |
| 720-425-01550 | 3                      | 3Ph / 4P      | 230/400          | 50             | 1420              | 100LB    | IE3       |
| 720-425-01600 | 4                      | 3Ph / 4P      | 230/400          | 50             | 1440              | 112M     | IE3       |

| Bestell-Nr.   | A   | AA | AB  | AC  | AD  | B   | BB  | C  | D  | E  | H   | HA | F | EB | GD | AG    | L     | LD  | LL    | G    | ED  | K     | DH     | IPE/KK  | LA | LB  | M   | N   | P   | T   | S      |
|---------------|-----|----|-----|-----|-----|-----|-----|----|----|----|-----|----|---|----|----|-------|-------|-----|-------|------|-----|-------|--------|---------|----|-----|-----|-----|-----|-----|--------|
| 720-115-01150 | 100 | 24 | 123 | 120 | 102 | 80  | 100 | 40 | 11 | 23 | 63  | 7  | 4 | 16 | 4  | 101   | 217   |     | 101   | 8,5  | 3,5 | 7x9,5 | M4x12  | M20x1,5 | 10 | 194 | 115 | 95  | 140 | 3   | 4x10   |
| 720-115-01200 | 112 | 26 | 138 | 136 | 109 | 90  | 110 | 45 | 14 | 30 | 71  | 8  | 5 | 25 | 5  | 101   | 245   |     | 101   | 11   | 2,5 | 7x11  | M5x12  | M20x1,5 | 10 | 215 | 130 | 110 | 160 | 3,5 | 4x10   |
| 720-115-01250 | 112 | 26 | 138 | 136 | 109 | 90  | 110 | 45 | 14 | 30 | 71  | 8  | 5 | 25 | 5  | 101   | 245   |     | 101   | 11   | 2,5 | 7x11  | M5x12  | M20x1,5 | 10 | 215 | 130 | 110 | 160 | 3,5 | 4x10   |
| 720-115-01300 | 125 | 35 | 157 | 155 | 124 | 100 | 125 | 50 | 19 | 40 | 80  | 9  | 6 | 30 | 6  | 101   | 277   |     | 101   | 15,5 | 5   | 10x14 | M6x16  | M20x1,5 | 12 | 237 | 165 | 130 | 200 | 3,5 | 4x12   |
| 720-425-01350 | 125 | 35 | 157 | 158 | 130 | 100 | 125 | 50 | 19 | 40 | 80  | 8  | 6 | 30 | 6  | 101   | 293,5 | 115 | 101   | 15,5 | 5   | 10x14 | M6x16  | M20x1,5 | 12 | 253 | 165 | 130 | 200 | 3,5 | 4x12   |
| 720-425-01400 | 140 | 37 | 173 | 175 | 140 | 100 | 125 | 56 | 24 | 50 | 90  | 10 | 8 | 40 | 7  | 109   | 319   | 145 | 109   | 20   | 5   | 10x14 | M8x19  | M25x1,5 | 12 | 269 | 165 | 130 | 200 | 3,5 | 4x12   |
| 720-425-01450 | 140 | 37 | 173 | 175 | 140 | 125 | 150 | 56 | 24 | 50 | 90  | 10 | 8 | 40 | 7  | 109   | 344   | 145 | 109   | 20   | 5   | 10x14 | M8x19  | M25x1,5 | 12 | 294 | 165 | 130 | 200 | 3,5 | 4x12   |
| 720-425-01500 | 160 | 40 | 196 | 198 | 156 | 140 | 172 | 63 | 28 | 60 | 100 | 11 | 8 | 50 | 7  | 109   | 393   |     | 109   | 24   | 5   | 12x16 | M10x22 | M25x1,5 | 13 | 333 | 215 | 180 | 250 | 4   | 4x14,5 |
| 720-425-01550 | 160 | 40 | 196 | 198 | 156 | 140 | 172 | 63 | 28 | 60 | 100 | 11 | 8 | 50 | 7  | 109   | 393   |     | 109   | 24   | 5   | 12x16 | M10x22 | M25x1,5 | 13 | 333 | 215 | 180 | 250 | 4   | 4x14,5 |
| 720-425-01600 | 190 | 41 | 227 | 219 | 166 | 140 | 180 | 70 | 28 | 60 | 112 | 12 | 8 | 50 | 7  | 117,5 | 395   |     | 117,5 | 24   | 5   | 12x16 | M12x28 | M32x1,5 | 14 | 335 | 215 | 180 | 250 | 4   | 4x14,5 |





Aluminiumgehäuse  
Energieeffizienzklasse: IE3

| Bestell-Nr.   | Antriebsleistung in kW | Phasen / Pole | Spannung in Volt | Frequenz in Hz | Drehzahl in U/min | Baugröße | IE Klasse |
|---------------|------------------------|---------------|------------------|----------------|-------------------|----------|-----------|
| 720-425-01650 | 5,5                    | 3Ph / 4P      | 400/690          | 50             | 1440              | 132S     | IE3       |
| 720-425-01700 | 7,5                    | 3Ph / 4P      | 400/690          | 50             | 1440              | 132M     | IE3       |
| 720-425-01750 | 11                     | 3Ph / 4P      | 400/690          | 50             | 1460              | 160M     | IE3       |
| 720-425-01800 | 15                     | 3Ph / 4P      | 400/690          | 50             | 1470              | 160L     | IE3       |
| 720-425-01850 | 18,5                   | 3Ph / 4P      | 400/690          | 50             | 1470              | 180M     | IE3       |
| 720-425-01900 | 22                     | 3Ph / 4P      | 400/690          | 50             | 1480              | 180L     | IE3       |
| 720-425-01950 | 30                     | 3Ph / 4P      | 400/690          | 50             | 1480              | 200L     | IE3       |
| 720-425-02000 | 37                     | 3Ph / 4P      | 400/690          | 50             | 1480              | 225S     | IE3       |
| 720-425-02050 | 45                     | 3Ph / 4P      | 400/690          | 50             | 1480              | 225M     | IE3       |

| Bestell-Nr.   | A   | AA | AB  | AC  | AD  | B   | BB  | C   | D  | E   | H   | HA | F  | EB  | GD | AG    | L   | LD    | LL  | G    | ED    | K      | DH      | IPE/KK  | LA  | LB  | M   | N   | P   | T    | S      |
|---------------|-----|----|-----|-----|-----|-----|-----|-----|----|-----|-----|----|----|-----|----|-------|-----|-------|-----|------|-------|--------|---------|---------|-----|-----|-----|-----|-----|------|--------|
| 720-425-01650 | 140 | 37 | 173 | 175 | 140 | 100 | 125 | 56  | 24 | 50  | 90  | 10 | 8  | 40  | 7  | 109   | 319 | 145   | 109 | 20   | 5     | 10x14  | M8x19   | M25x1,5 | 12  | 269 | 165 | 130 | 200 | 3,5  | 4x12   |
| 720-425-01700 | 216 | 51 | 262 | 258 | 188 | 140 | 186 | 89  | 38 | 80  | 132 | 15 | 10 | 65  | 8  | 117,5 | 483 | 117,5 | 33  | 7,5  | 12x16 | M12x28 | M32x1,5 | 14      | 403 | 215 | 180 | 250 | 4   | 4x12 |        |
| 720-425-01750 | 254 | 65 | 314 | 314 | 251 | 210 | 260 | 108 | 42 | 110 | 160 | 20 | 12 | 90  | 8  | 162   | 589 | 256   | 152 | 37   | 10    | 14,5   | M16x36  | M40x1,5 | 15  | 479 | 300 | 250 | 350 | 5    | 4x18,5 |
| 720-425-01800 | 254 | 65 | 314 | 314 | 251 | 254 | 304 | 108 | 42 | 110 | 160 | 20 | 12 | 90  | 8  | 162   | 633 | 256   | 152 | 37   | 10    | 14,5   | M16x36  | M40x1,5 | 15  | 523 | 300 | 250 | 350 | 5    | 4x18,5 |
| 720-425-01850 | 279 | 70 | 349 | 355 | 267 | 241 | 311 | 121 | 48 | 110 | 180 | 22 | 14 | 90  | 9  | 162   | 661 | 271   | 152 | 42,5 | 10    | 14,5   | M16x36  | M40x1,5 | 15  | 551 | 300 | 250 | 350 | 5    | 4x18,5 |
| 720-425-01900 | 279 | 70 | 349 | 355 | 267 | 279 | 349 | 121 | 48 | 110 | 180 | 22 | 14 | 90  | 9  | 162   | 699 | 271   | 152 | 42,5 | 10    | 14,5   | M16x36  | M40x1,5 | 15  | 589 | 300 | 250 | 350 | 5    | 4x18,5 |
| 720-425-01950 | 318 | 70 | 388 | 397 | 299 | 305 | 369 | 133 | 55 | 110 | 200 | 25 | 16 | 100 | 10 | 210   | 757 | 296   | 190 | 49   | 5     | 18,5   | M20x42  | M50x1,5 | 17  | 647 | 350 | 300 | 400 | 5    | 4x18,5 |
| 720-425-02000 | 356 | 75 | 431 | 446 | 322 | 286 | 368 | 149 | 60 | 140 | 225 | 28 | 18 | 125 | 11 | 210   | 798 | 329   | 190 | 53   | 7,5   | 18,5   | M20x42  | M50x1,5 | 20  | 658 | 400 | 350 | 450 | 5    | 8x18,5 |
| 720-425-02050 | 356 | 75 | 431 | 446 | 326 | 311 | 393 | 149 | 60 | 140 | 225 | 28 | 18 | 125 | 11 | 210   | 823 | 329   | 190 | 53   | 7,5   | 18,5   | M20x42  | M50x1,5 | 20  | 683 | 400 | 350 | 450 | 5    | 8x18,5 |

